

Shower Wall System

inches

3 PIECE SHOWER WALL & SHOWER BASE



FEATURES

- 3 Piece Shower Wall consists of 2 side walls and 1 back wall
- Shower Base features a slip-resistant floor
- AcrylX™ applied acrylic finish

NOTE

To determine the forward curve dimensions on the backwall: The sidewalls always stay the same depth of 26 inches. In order to get the desired depth of the backwall, it will wrap around the corner of the sidewall. Depending on the desired width of the backwall, that would equate to the curve dimension. Example: The 3260WS would come out 6 inches from the backwall to create the 32 inch depth (26" Sidewall plus 6 inches for the 32" depth).

COLOR OPTIONS

Standard Color	Code
White	WT

FLORESTONE

A spec above.



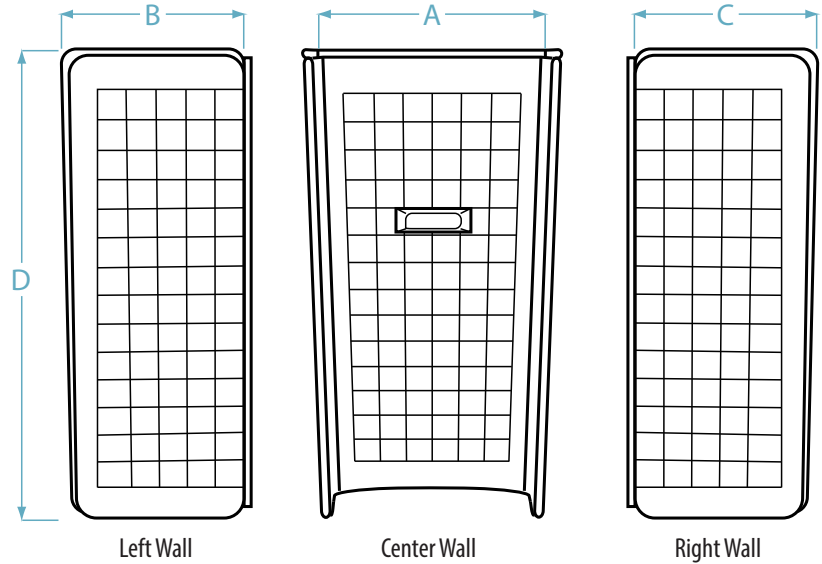
Shower Wall System



Shower Wall System

3PC Shower Wall

Model	A	B	C	D
3636WS	36"	26"	26"	71"
3442WS	42"	26"	26"	71"
3448WS	48"	26"	26"	71"
3460WS	60"	26"	26"	71"
3060WS	60"	26"	26"	71"
3260WS	60"	26"	26"	71"



Shower Receptors

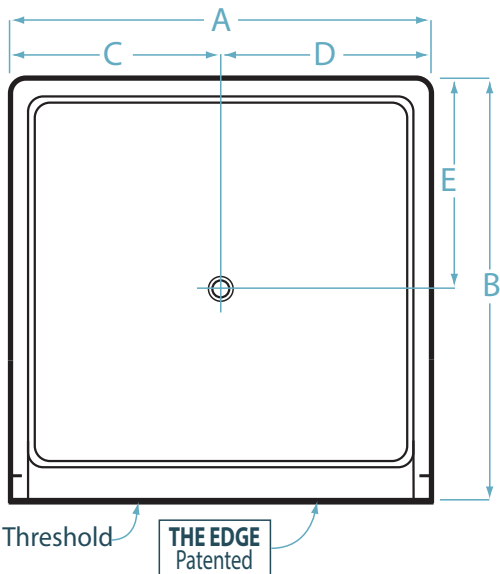
Molded Fiberglass Shower Receptors

Model	A	B	C	D	E	WT
3636F	36"	36"	18"	18"	18"	38
3448F	48"	34"	24"	24"	17"	44
3460F	60"	34"	30"	30"	17"	50
3060F*	60"	30"	52"	8"	15"	45
3060F-BF*	60"	30"	52"	8"	15"	45
3260F*	60"	32"	52"	8"	15"	45

* End drain shower receptor. Please specify RH or LH drain.

Molded Shower Receptors with The Edge

Model	A	B	C	D	E	WT
3636-1	36"	36"	18"	18"	18"	56
4834-1	48"	34"	24"	24"	17"	70
6034-1	60"	34"	30"	30"	17"	90



NOTE: For more detailed information please refer to the Shower Receptors catalog.

